

**J-105-HI-WC VHF HI-BAND
MATV ANTENNA**
(Channels 7 thru 13)

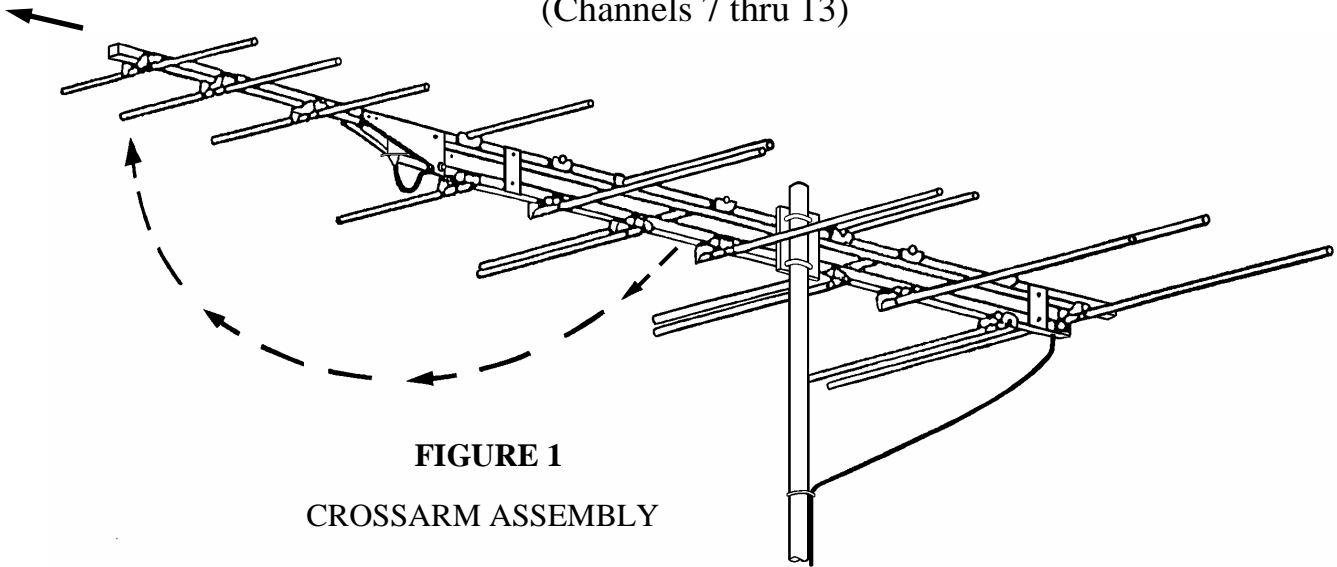


FIGURE 1

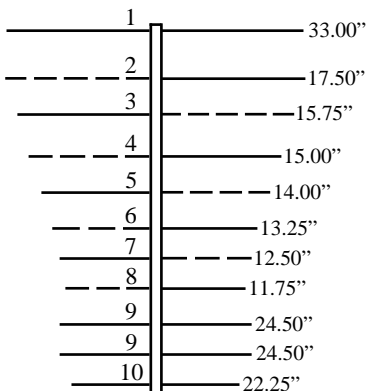
CROSSARM ASSEMBLY

DESCRIPTION:

The J-105-HI-WC is a heavy duty 75-ohm antenna, specifically designed for master antenna (MATV) distribution systems.

ASSEMBLY AND MOUNTING:

- Carefully read through the instructions and study the figures before you begin installation of the antenna.
- Inspect antenna visually upon reception for shipping damages and report them immediately if any have occurred.
- Swing the front of the crossarm into position and secure it to the main upper crossarm with the machine screw, lock washer and hex nut supplied; wrench tighten both securing hex nuts. (see Figure 1)
- Assemble the elements onto the crossarms in their respective positions as denoted by their length. Note the relationship of the elements to the upper and lower crossarms; the elements must be positioned as shown in Figure 1, Figure 2 and Table 1. **DO NOT** overtighten the hex bolts securing the elements.



Note: Elements shown in phantom are mounted to lower crossarm.

ELEMENT NUMBER	QUANTITY REQUIRED	ELEMENT LENGTH
1	1	33.00 in
2	2	17.50 in
3	2	15.75 in
4	2	15.00 in
5	2	14.00 in
6	2	13.25 in
7	2	12.50 in
8	2	11.75 in
9	2	24.50 in
10	1	22.25 in

Figure 2

ELEMENT POSITIONS

Table 1

ASSEMBLY AND MOUNTING (continued) :

5. Loosely assemble the dual U-bolt mounting bracket onto the crossarms as shown in Figure 3.
6. Lift the antenna into position, hold it upright and slide the U-bolt assembly onto the mast (1.50 to 2.00 in. Dia Max).
7. Orient the antenna in the desired direction and tighten the hex nuts on the U-bolts sufficiently to support the antenna.
8. Attach cable (RG-6/U recommended) to down lead.
9. Rotate the antenna until maximum signal strength is received, then fully tighten the hex nuts on the U-bolt assembly.

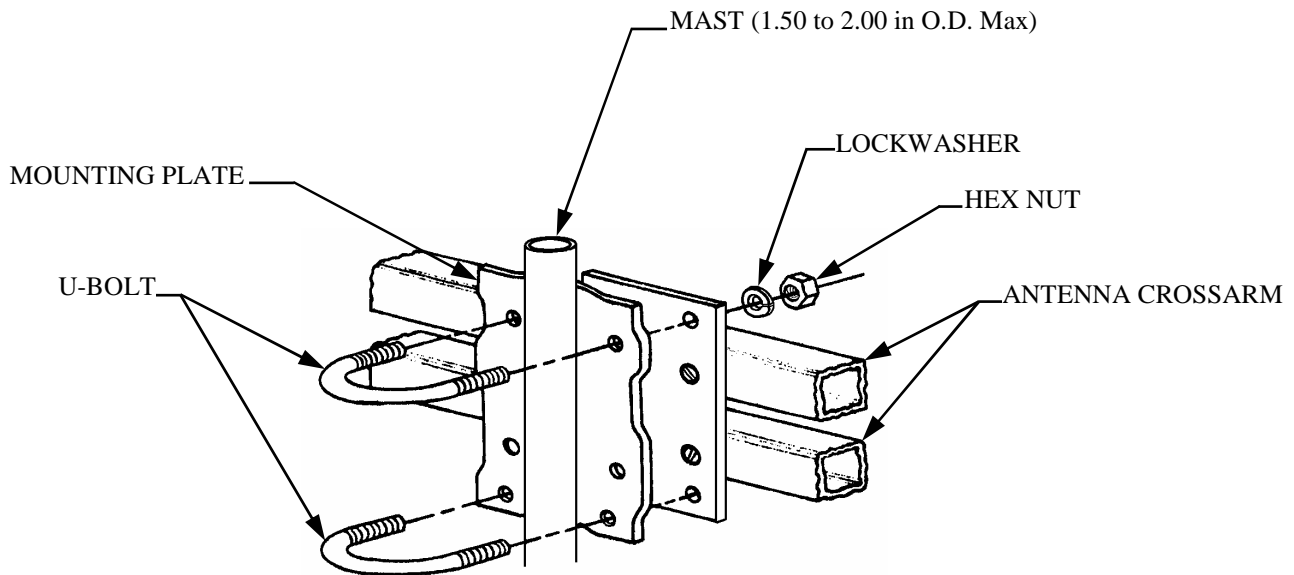


Figure 3
U-BOLT MOUNTING BRACKET