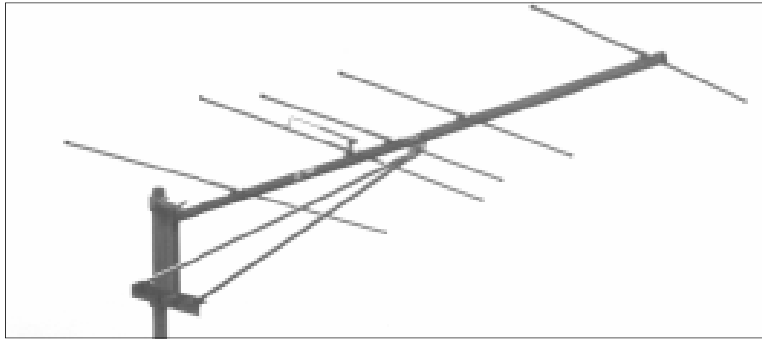


WCM CANTILEVER MOUNTING KIT



“WCM” mounting kits are available in 6 different models to accommodate multiple rear mounting options. Figure 1 depicts a kit which consists of a “T” frame, 2 braces and a pair of center mounting brackets which are used on all single crossarm antennas. Figure 2 depicts a kit which consists of a “T” frame, 2 braces and center mounting plates which are used on all double crossarm antennas. Refer to Table 1 for the 6 different models.

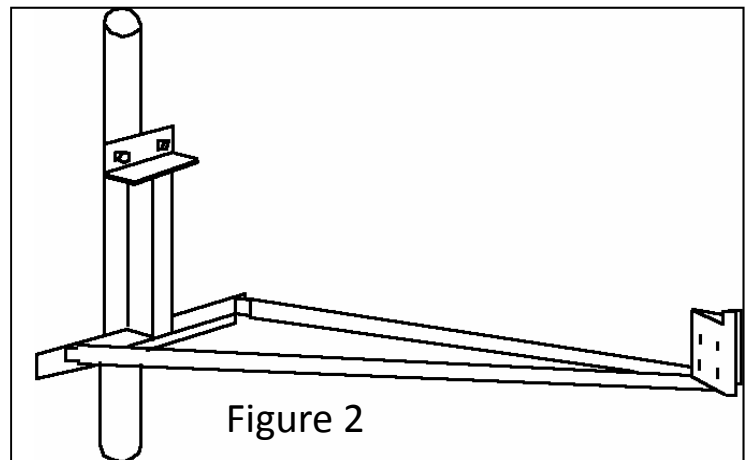
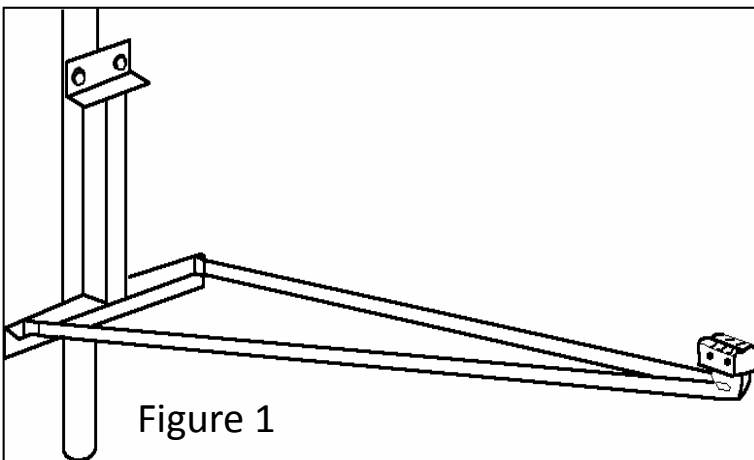
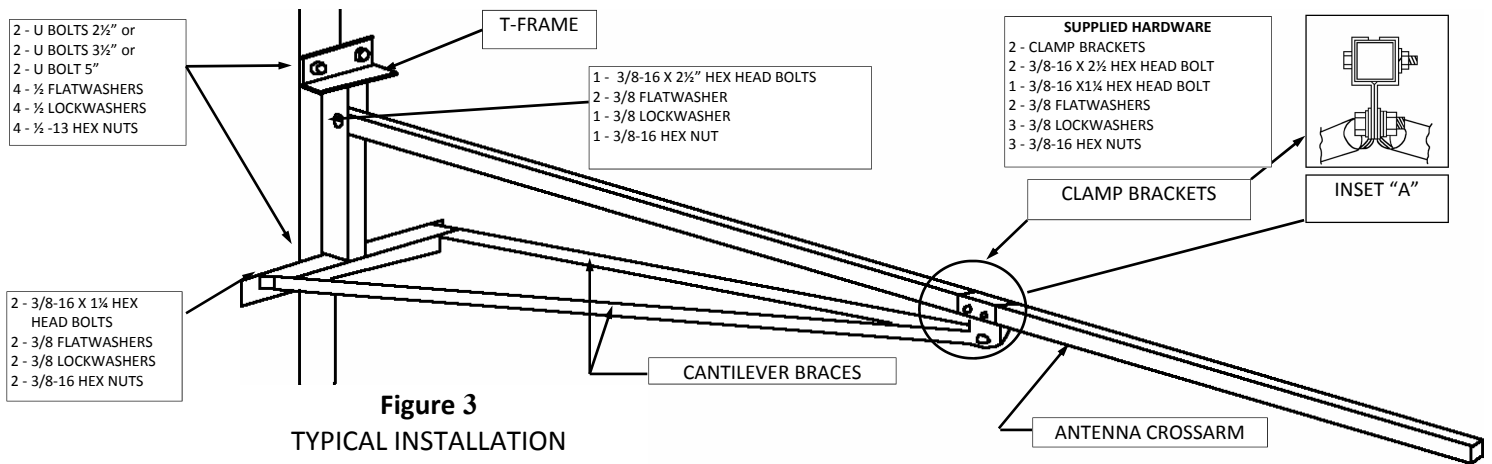


TABLE 1			
MODEL	MAST/TOWER DIAMETER	ANTENNA MODELS	ANTENNA APPLICATION
WCM-1	2.88"	J-55 J-105	SINGLE CROSSARM
WCM-2	2.88"	J-55-LO J-105-HI	DOUBLE CROSSARM
WCM-3	1.90"	J-55 J-105	SINGLE CROSSARM
WCM-4	1.90"	J-55-LO J-105-HI	DOUBLE CROSSARM
WCM-5	4.50"	J-55 J-105	SINGLE CROSSARM
WCM-6	4.50"	J-55-LO J-105-HI	DOUBLE CROSSARM

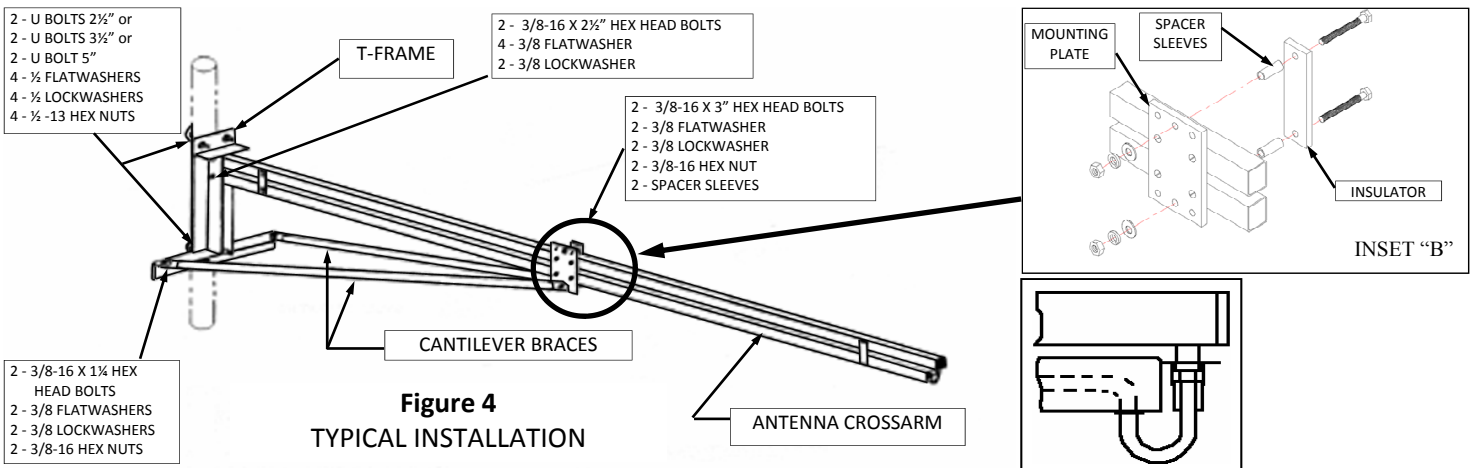
SINGLE CROSSARM ANTENNAS



ASSEMBLY:

1. Attach the clamp brackets as shown in Figure 3, Inset "A".
2. Attach cantilever braces and "T" frame to antenna assembly as shown in figure 3. **NOTE:** The antenna is mounted at the rear end in the lower of the two mounting holes. This will ensure perpendicular mounting.

DOUBLE CROSSARM ANTENNAS



ASSEMBLY:

1. Attach the insulator and spacer sleeves to the mounting plate at the center of the double crossarm using supplied hardware. See Inset "B".
2. Attach cantilever braces and "T" frame to antenna assembly as shown in figure 4. **NOTE:** The antenna is mounted at the rear end in the lower of the two mounting holes. This will ensure perpendicular mounting.

MOUNTING:

1. Lift the antenna assembly into position, orient in the desired direction and lightly secure to the mast with supplied u-bolts, washers and nuts.
2. Run the down lead to the "Head-end" or distribution equipment according to standard practice, using tape and appropriate insulated staples as required. Apply appropriate weatherproofing.

FINAL ORIENTATION:

1. Rotate the antenna until maximum signal strength is received, then fully secure the u-bolts to the mast.