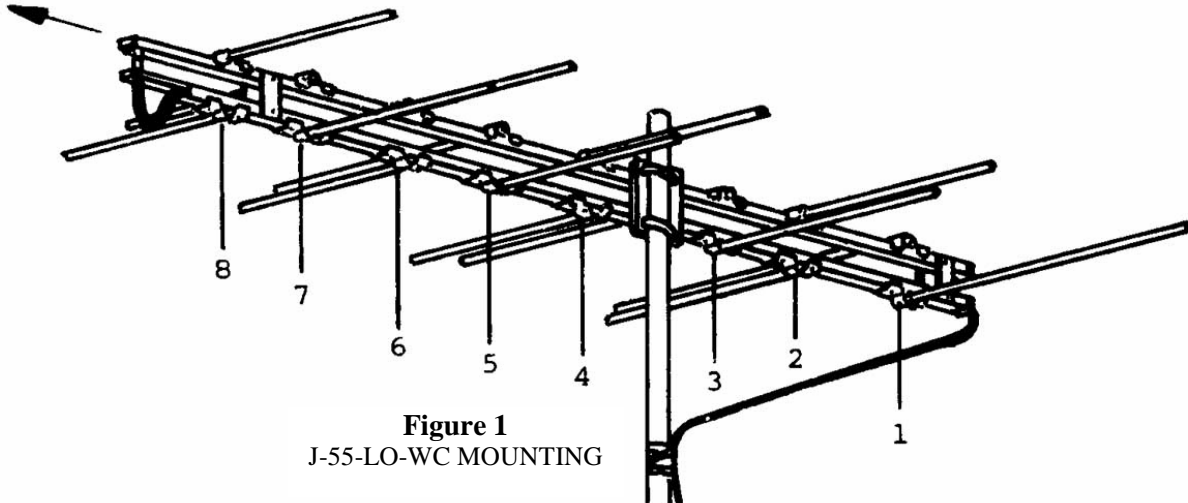


**J-SERIES LOW BAND  
MATV ANTENNA  
VHF (Channels 2 thru 6)**



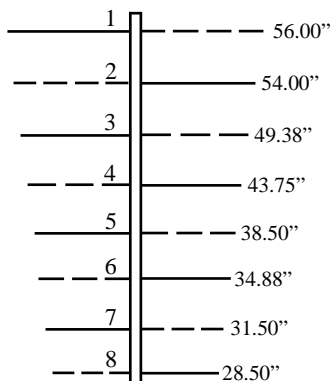
**Figure 1**  
J-55-LO-WC MOUNTING

**DESCRIPTION:**

The J-Series are heavy duty 75-ohm antennas, specifically designed for master antenna (MATV) distribution systems.

**ASSEMBLY AND MOUNTING:**

1. Carefully read through the instructions and study the figures before you begin installation of the antenna.
2. Inspect antenna visually upon reception for shipping damages and report them immediately if any have occurred.
3. Assemble the elements onto the crossarms in their respective positions as denoted by their length. Note the relationship of the elements to the upper and lower crossarms; the elements must be positioned as shown in Figure 1, Figure 2 and Table 1. **DO NOT** overtighten the hex bolts securing the elements.



**Note:** Elements shown in phantom are mounted to lower crossarm.

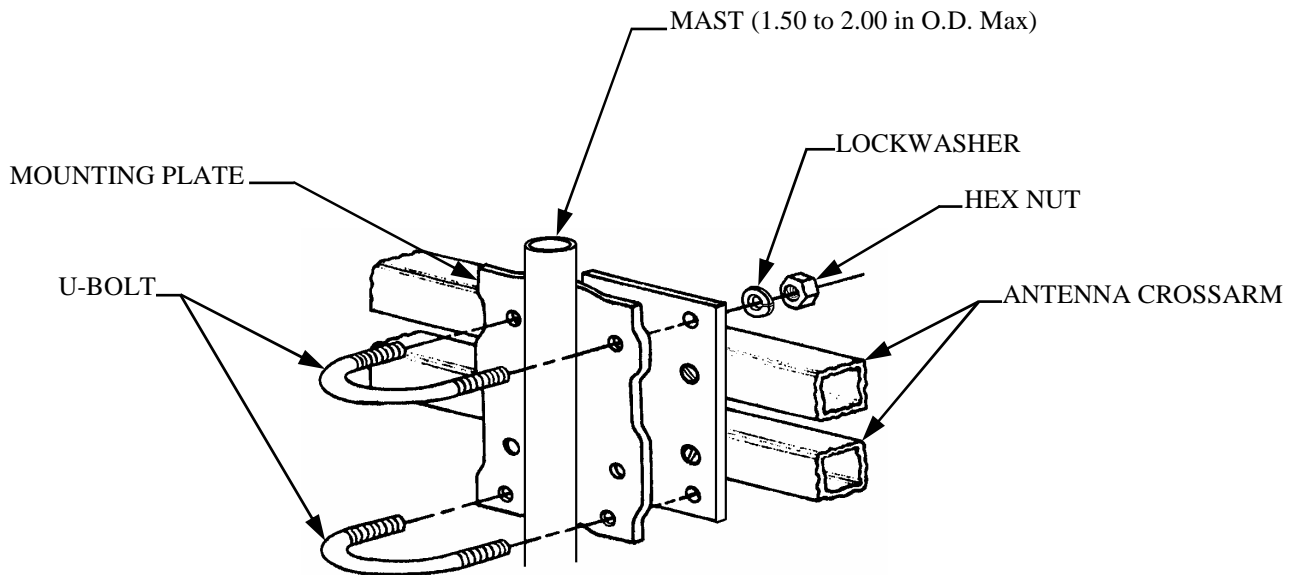
**Figure 2**  
ELEMENT POSITIONS

ELEMENT NUMBER	QUANTITY REQUIRED	ELEMENT LENGTH
1	2	56.00 in
2	2	54.00 in
3	2	49.38 in
4	2	43.75 in
5	2	38.50 in
6	2	34.88 in
7	2	31.50 in
8	2	28.50 in

**Table 1**

## ASSEMBLY AND MOUNTING (continued) :

5. Loosely assemble the dual U-bolt mounting bracket onto the crossarms as shown in Figure 3.
6. Lift the antenna into position, hold it upright and slide the U-bolt assembly onto the mast (1.50 to 2.00 in. Dia Max).
7. Orient the antenna in the desired direction and tighten the hex nuts on the U-bolts sufficiently to support the antenna.
8. Attach cable (RG-6/U recommended) to down-lead.
9. Rotate the antenna until maximum signal strength is received, then fully tighten the hex nuts on the U-bolt assembly.



**Figure 3**  
U-BOLT MOUNTING BRACKET