

## TRM-10L Assembly Instructions Ten Foot Tripod

### Material:

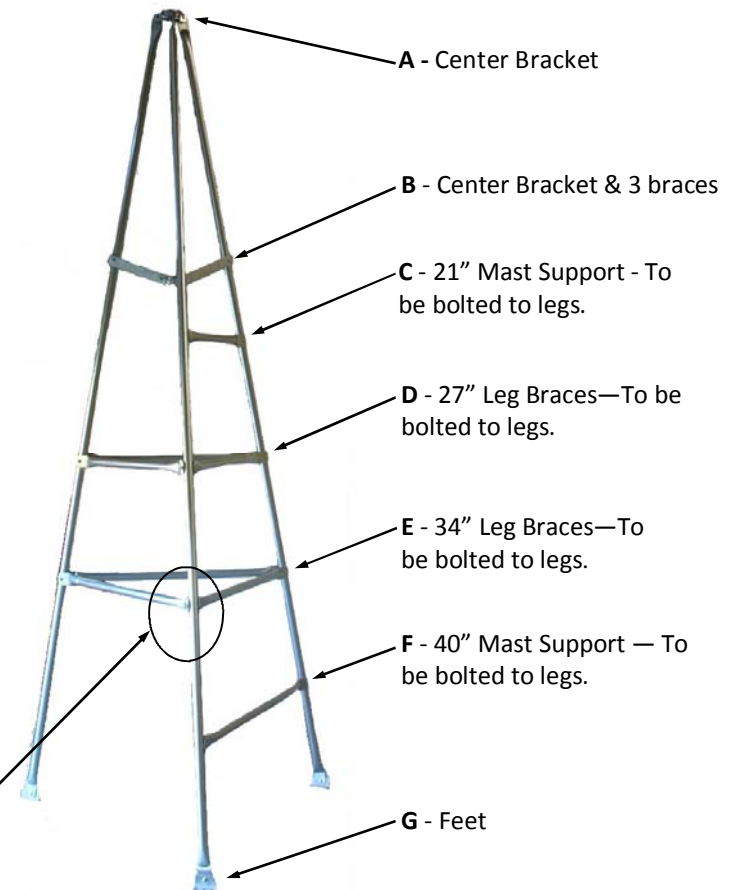
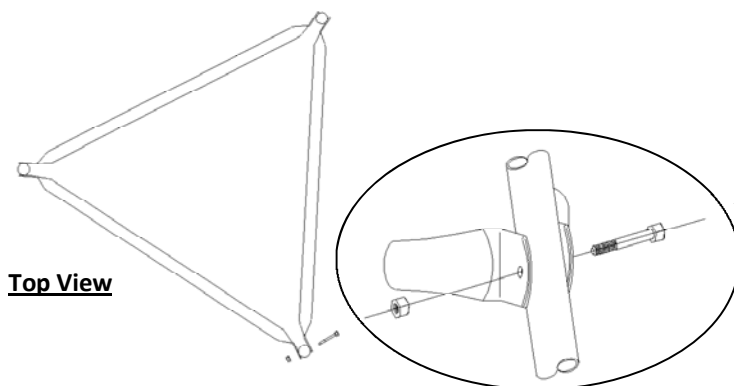
- One set of three 10' legs assembled with the following:
  - one center bracket bolted at the top (point A)
  - one set of three braces and a center bracket bolted at point B
  - one set of three feet bolted at bottom (point G)  
(see the picture below).
- One mast support approximately 21" long.
- One set of three braces approximately 27" long.
- One set of three braces approximately 34" long.
- One mast support approximately 40" long.

### Tools Required:

- One 7/16" wrench.

### Assembly Instructions:

1. Read instruction sheet carefully and study figures before assembly.
2. Open the tripod legs in an upright position in a clear open area.
3. Bolt the 21" mast support to the 10' legs at point C, but do not tighten bolts.
4. Bolt the 27" braces to the 10' legs at point D, but do not tighten bolts.
5. Bolt the 34" braces to the 10' legs at point E, but do not tighten bolts.
6. Bolt the 40" mast support to the 10' legs at point F, but do not tighten bolts.
7. Tighten all bolts.



**IMPORTANT:** A qualified structural engineer should be consulted prior to mounting equipment on a tower or support structure.