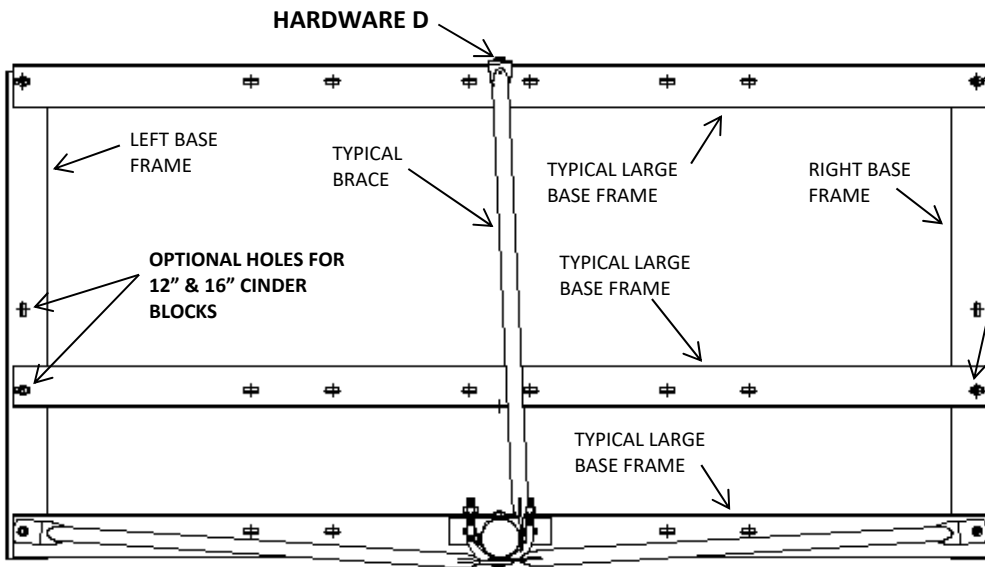
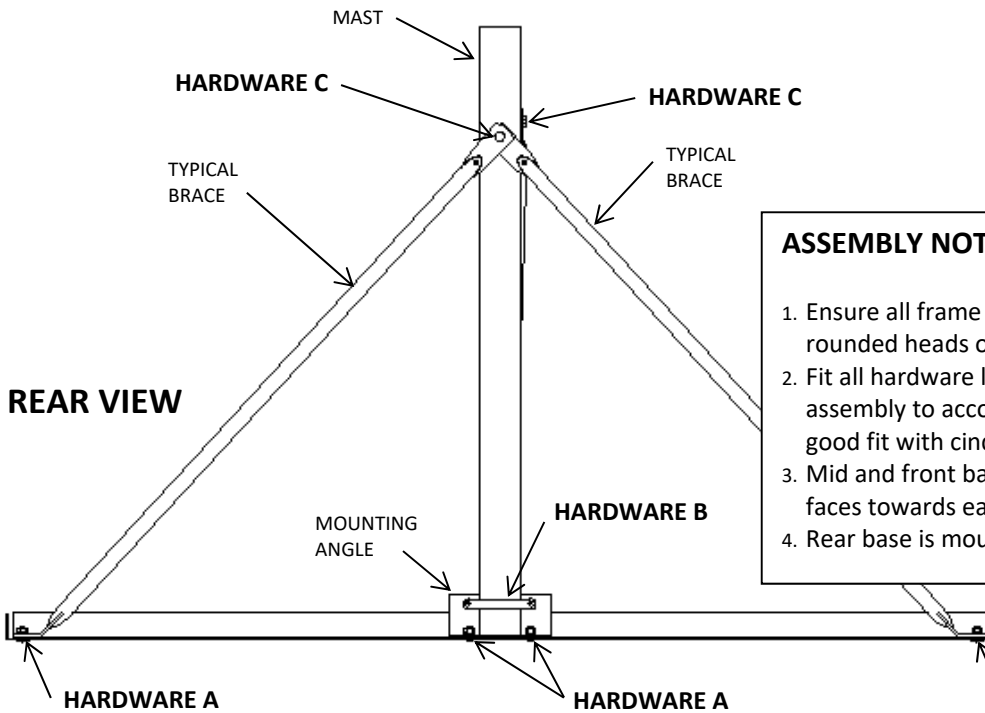


NPRM-1/2-LD

Non-Penetrating Roof Mount



TOP VIEW



REAR VIEW

- PARTS:**
 3 X LARGE BASE FRAME
 1 X LEFT BASE FRAME
 1 X RIGHT BASE FRAME
 3 X BRACE
 1 X MAST
 1 X MOUNTING ANGLE
- HARDWARE A:**
 8 X 1/4-20 x 3/4" CARRIAGE BOLT
 8 X 1/4" INTERNAL TOOTH WASHER
 8 X 1/4-20 NUT
- HARDWARE B:**
 1 X U-BOLT
 2 X 3/8" LOCK WASHER
 2X 3/8-16 NUT
- HARDWARE C:**
 2 X 1/4-20 x 2-3/4" HEX HEAD BOLT
 2 X 1/4" INTERNAL TOOTH WASHER
 2 X 1/4-20 NUT
- HARDWARE D:**
 1 X 1/4-20 x 3/4" HEX HEAD BOLT
 1 X 1/4" INTERNAL TOOTH WASHER
 1 X 1/4-20 NUT

- ASSEMBLY NOTES:**
1. Ensure all frame carriage bolts are affixed with rounded heads on the underside of the mount.
 2. Fit all hardware loose initially. Tighten at end of assembly to accommodate leveling of the mast and good fit with cinder blocks.
 3. Mid and front base frames are mounted with open faces towards each other.
 4. Rear base is mounted open face outwards.