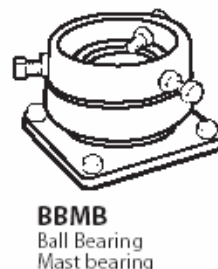
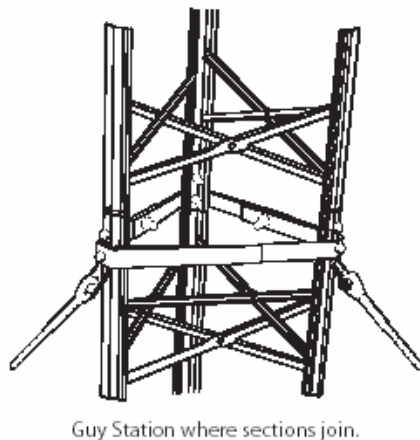
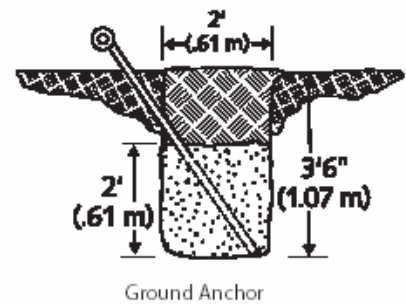
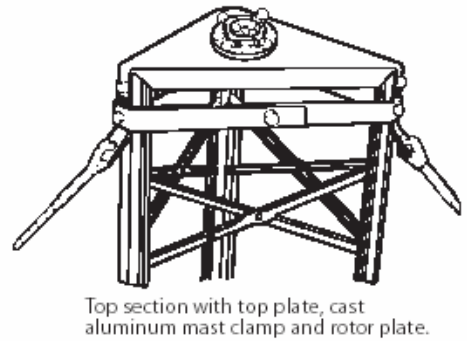
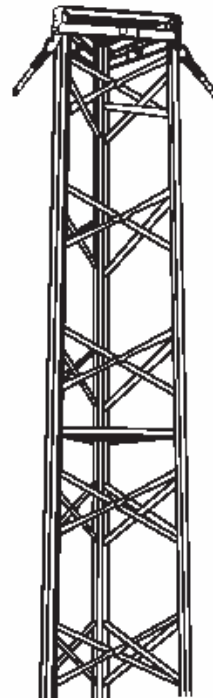
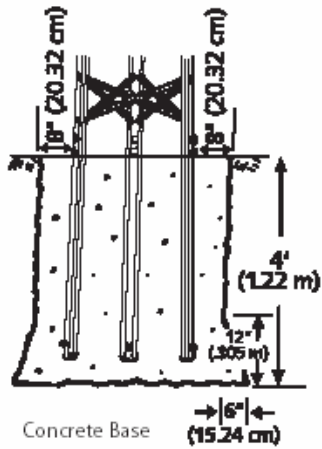
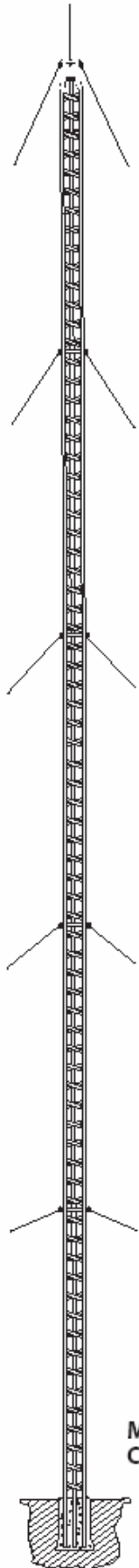


**CG TOWERS**  
**Ideal for supporting Communications, Civil and Amateur antennas**

- Twelve models are available in heights from 62 ft. (8 sections) up to 147 ft. (19 sections) plus mast.
- Towers are designed to support a net antenna weight of up to 80 lbs. with a horizontal wind load of up to 300 lbs. plus rotor and 2" OD x 10 ft. mast.
- Instructions are supplied for 30 degree guying with ground anchors 120 degrees apart and about 1/2 tower height from base.
- Hard Grade 1/4" OD guy wire is recommended, however, 3/16" OD can be used.
- All tower sections are eight feet long with twists reducing beaded-channel legs riveted together with "X" braces. Legs and cross braces are galvanized steel, rivets are solid aluminum, anodized. Special nuts and bolts are 1/2" O.D. and heat treated.
- No DMX4T and DMX 4 sections are 19" wide and have 16" ga. Legs. DMX 5 and DMX5S sections are 21 1/2": wide with 14ga. Legs.
- Straight sections fit smoothly together, since all leg bottoms are accurately swaged for a perfect fit.
- The three highest towers use tapered sections at the base.
- Special three-size guy stations are strong and reliable. They are attached every three sections from the base up (except CG-19) and at the top of the tower.



**Model CG-15**

**All CG Commercial Guyed Towers are shipped complete with the following items:**

- \* 8 ft. towers sections
- \* Top plate with a No. 244A mast clamp installed
- \* Rotor plate with a No. 244A clamp installed
- \* Guy stations
- \* Concrete base stubs
- \* Special nuts, bolts and washers.

Model No.	Tower Height (Ft.)	Description	Wt. in lbs
CG-19	147	19 sections, 6 guy stations	1021
CG-18	139	18 sections, 6 guy stations	967
CG-17	131	17 sections, 6 guy stations	908
CG-16	124	16 sections, 6 guy stations	850
CG-15	117	15 sections, 5 guy stations	780
CG-14	109	14 sections, 5 guy stations	601
CG-13	101	13 sections, 5 guy stations	569
CG-12	93	12 sections, 4 guy stations	516
CG-11	85	11 sections, 4 guy stations	481
CG-10	77	10 sections, 4 guy stations	431
CG-9	70	9 sections, 3 guy stations	399
CG-8	62	8 sections, 3 guy stations	354

Model No.	Description	Wt. in lbs
Parts which may be ordered separately		
DMX4T	Top section with 16 Ga. Legs	38
DMX4S	Straight section with 14 Ga. Legs	31
DMX5	Offset section with 14 Ga. Legs	42
DMX5S	Straight section with 13 Ga. Legs	43
DMX6	Offset section with 13 Ga. Legs	56
DMX7	Offset section with 12 Ga. Legs	65
DMX8	Offset section with 12 Ga. Legs	70
GS345	Three-size guy station	8
CBS5	Set of 3 base stubs for DMX5 section	13
CBS6	Set of 3 base stubs for DMX6 section	13
CBS7	Set of 3 base stubs for DMX7 section	20
CBS8	Set of 3 base stubs for DMX8 section	21
HD Mast	2" O.D. x 12 Ga. X 8' Galv. Mast	18
244A	Cast alum. Clamp for 2.5" O.D. mast	3
BBMB	Ball Bearing Mast Bearing for 2" O.D. mast	2

**ASSEMBLY DIAGRAM FOR ALL CG TOWERS**

