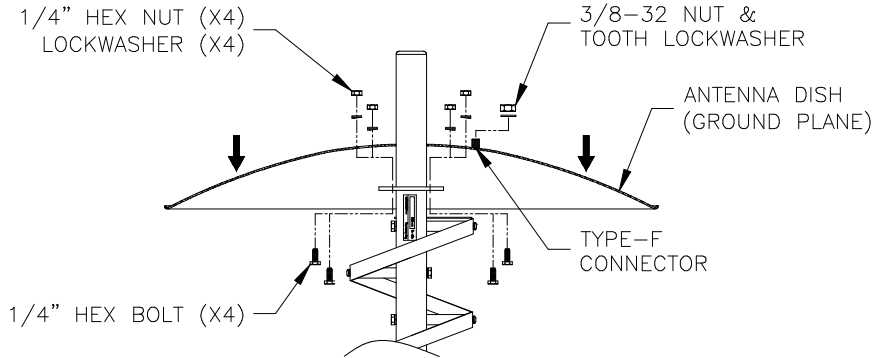
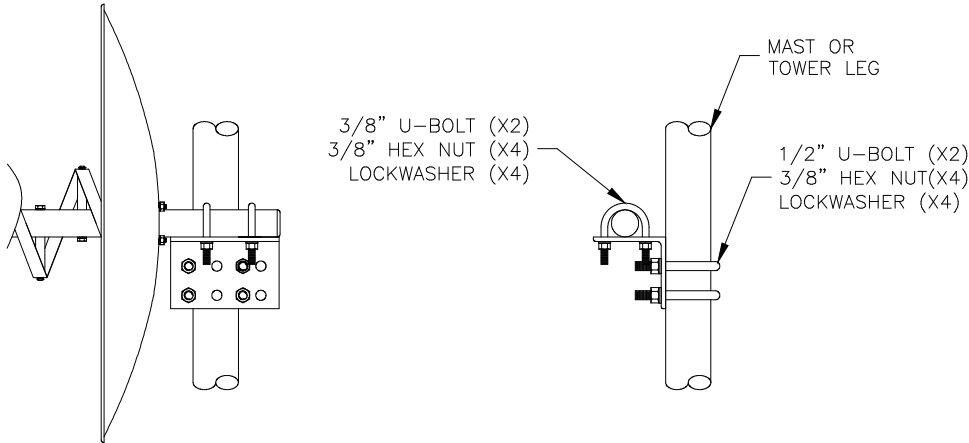


WH14-69 & WH14-51 ASSEMBLY INSTRUCTIONS

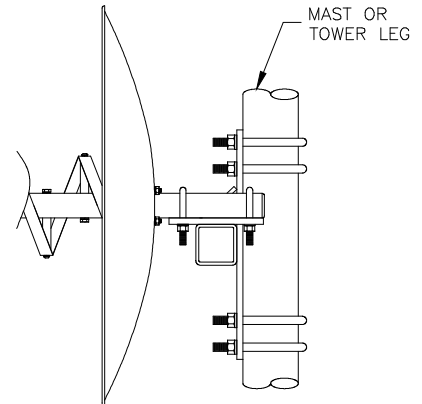
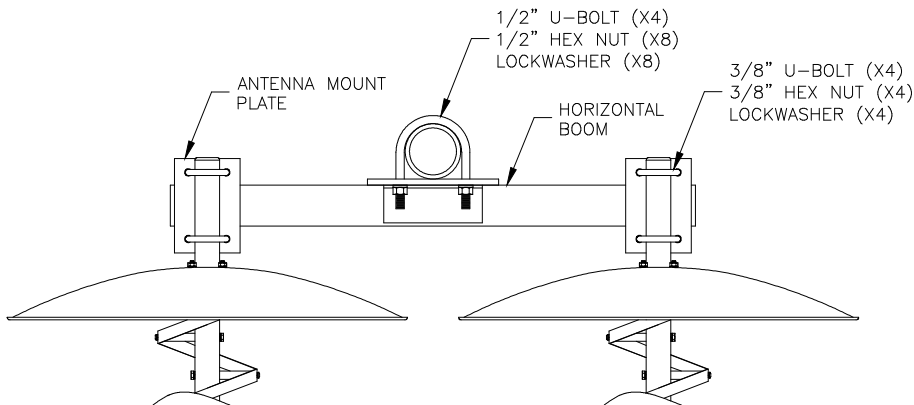
GROUND PLANE INSTALL



SINGLE ANTENNA



ANTENNA ARRAY



INSTALLATION NOTES:

- A qualified engineer should be consulted prior to mounting any antenna on a tower or support structure.
- All antennas MUST be mounted with the cable on the lower antenna boom.
- See additional instruction sheet for WH14-51 Models

STEP 1:

Assemble the ground plane to the antenna mast using the hardware indicated. When tightening the connector nut, hold the connector assembly on the front side of the ground plane to prevent rotation of the connector

STEP 2:

Assemble the mount to the support mast using the hardware indicated.

STEP 3:

Assemble the antenna to the mount using the hardware indicated.

STEP 4:

Ensure that all fasteners are tightened and secured.

STEP 5:

Connect down-lead and position antenna for optimum signal.