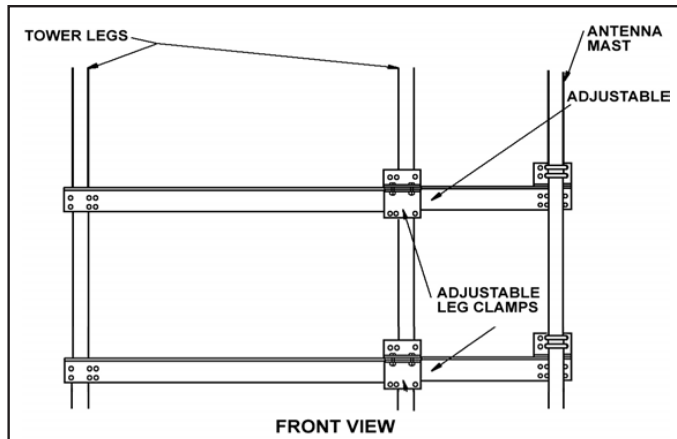


ANTENNA TOWER MOUNTS



UNIVERSAL TOWER MOUNT

- Designed to distribute load across tower face.
- Fits round leg towers.
- All material is hot dip galvanized.
- Fits most tower sizes.
- Specify tower face width and tower face diameter.



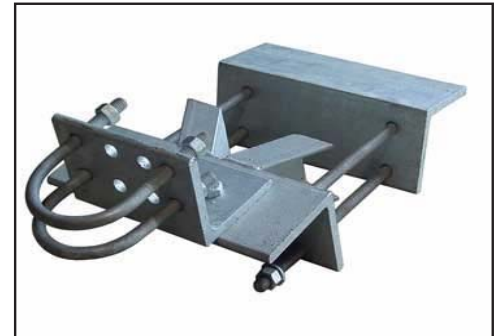
ROTOR MOUNTING KIT (RMK)

- Used to mount our J-283X Test/Search Antenna and Rotor.
- Fits round leg towers.
- All material is hot dip galvanized.
- Accommodates any size tower leg.



SIDE TOWER MOUNT (STM)

- Intended to mount antenna away from tower legs.
- Fits round and bent angle leg towers.
- All material is hot dip galvanized.
- Fits most tower sizes.
- Specify tower face width and tower face diameter.



BENT ANGLE LEG CLAMP

- Designed to mount our antennas and mounts to bent angle leg towers.
- All material is hot dip galvanized.
- Accommodates any size tower leg.

WADE Antenna Inc.

29 Sharp Road
Brantford, Ontario, N3T 5L8 Canada
Tel: 519.756.7157
Fax: 519.756.5056

(800) 463-1607
sales@wadeantenna.com

www.wadeantenna.com