



Product Features

H2058

Description

The Wade model H2058 is a right-hand circular polarized antenna with a plastic radome for protection from the environment. The antenna can be mounted to a mast. Wall and ceiling mounts are also available as an accessory (CM-1). This antenna is ideally suited to harsh environments that have severe reflections from metal surfaces and water.

Application

Wi-Fi Mesh, WiMax, ISM, VOiP, tunnels, mining applications, elevator shafts, video surveillance, downtown corridors, parking lots, wireless security cameras, warehousing.

MECHANICAL SPECIFICATIONS

LENGTH	12.0"
GROUND PLANE	5.5" Diameter
HOUSING	Polycarbonate
WEIGHT	1.4 lbs
MOUNTING	1-5/8" O.D. Mast or Wall

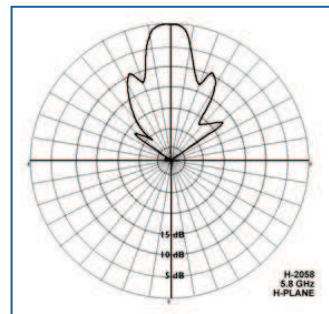
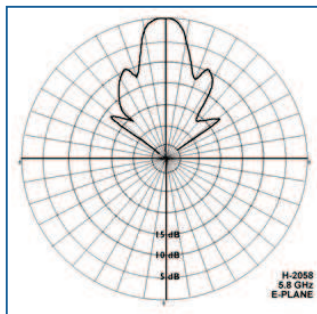
ELECTRICAL SPECIFICATIONS

FREQUENCY	5.7–5.85 GHz
GAIN	18 dBic
IMPEDANCE	50 Ohm
VSWR	1.5:1
F/B RATIO	>20 dB
POLARIZATION	RHCP
HPBW	20°
CONNECTOR	N Female
MAXIMUM INPUT POWER	50 Watts

ANTENNA PATTERNS

E PLANE

H PLANE



Wade Antenna's ongoing policy of continuing development may result in specification changes to its products.