

## PRE-GALVANIZED MASTING

(Induction welded, galvanized coating)

- 5, 8 & 10 foot lengths
- 1.25 to 2 inch O.D.
- 16 & 18 gauge

Wade Antenna's ongoing policy of continuing development may result in specification changes to its products.

## Towers

### DMX Self-Supporting

- Attractive tapered 8 foot sections
- Free-standing installation
- High strength galvanized steel construction
- Heat treated aluminum alloy rivets
- Compact nested bundle for easy shipping
- Ideal for amateur radio, industrial/commercial communications applications
- Climb shields recommended

| PACKAGE     | HEIGHTS (ft)          | LOAD LIMITS (ft <sup>2</sup> ) |
|-------------|-----------------------|--------------------------------|
| Standard    | 28-68 (mast included) | 3                              |
| Medium-Duty | 32-56                 | 6                              |
| Heavy-Duty  | 32-48                 | 9                              |

### CG Commercial Guyed

- Special 3-size strong, reliable guy stations
- Larger top section allows for greater loading
- Guying instructions supplied
- Ideal for: Industrial/commercial communications, rural internet connectivity, video surveillance, site lighting

| PACKAGE HEIGHTS (ft) | NO. OF SECTIONS | ANTENNA WEIGHT (lbs) | WIND LOAD (lbs) |
|----------------------|-----------------|----------------------|-----------------|
| 62-147               | 9-19            | 80                   | 300             |

### GN Bracketed

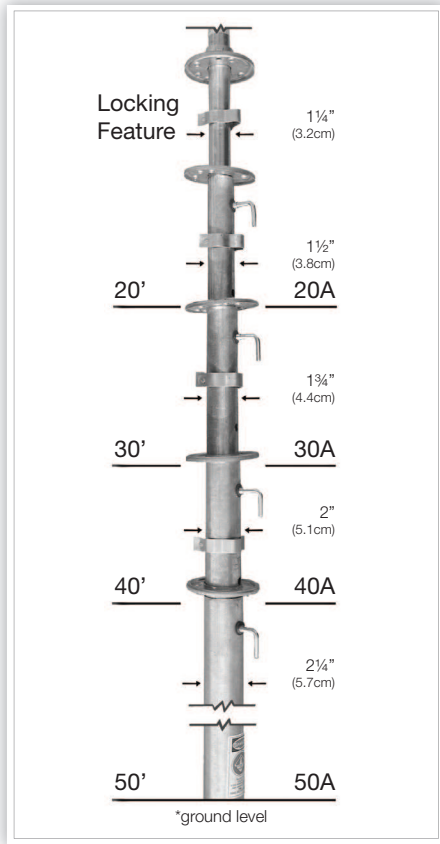
- Precision swaged legs for perfect fit
- Sleeve bearing for masts up to 1.66" (3.8 cm) diameter
- Legs and braces "Galvanized" steel
- Rotor plate for longer rotor life
- Each 10 foot section subjected to pressure testing
- Ensures a safe reliable tower, exceeding our minimum strength requirements

| SECTION | HEIGHT | LOAD LIMITS (ft <sup>2</sup> ) |
|---------|--------|--------------------------------|
| GN18T   | 9' 6"  | 3                              |
| GN18S   | 10' 0" | 3                              |
| GN16T   | 9' 6"  | 3                              |
| GN16S   | 10' 0" | 3                              |

### DMX Bracketed

- X braces with beaded channel leg
- Leg profile enhancement allows for easier installation and improved tower structure
- High strength galvanized steel construction
- Heat treated aluminum alloy rivets
- Top section tapered
- Universal house bracket
- No concrete required

| PACKAGE HEIGHTS (ft)  | LOAD LIMITS (ft <sup>2</sup> ) |
|-----------------------|--------------------------------|
| 20-52 (mast included) | 3                              |

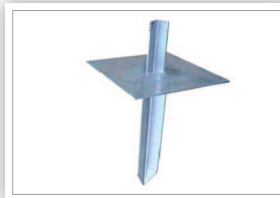


### 15' Mobile Pop-Up

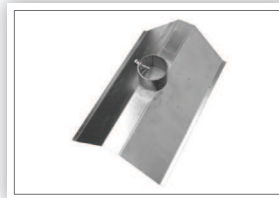
- 5' sections
- Guy rings not included

## Pop Up Masts

- High strength galvanized steel tubing
- Precision flared & swaged for smooth fit
- 16 gauge top section, balance 18 gauge
- Guy Rings and Guy Collars included with 20, 30, 40 & 50 foot models
- Snap lock for easy installation
- Chafe resistant floating guy rings
- Various bases available



**BP-125**  
Pop-up base plate



**2178**  
Saddle roof mount for 15A, 20A & 30A



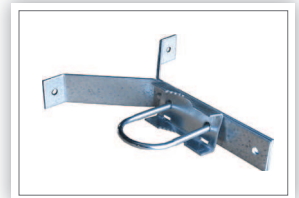
**2180**  
Angle base for up to 2" mast



**2175**  
Swivel base for pop-up masts 20A and 30A

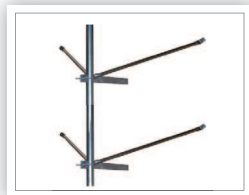


**2225**  
Swivel base for pop-up masts 40A and 50A



**2157**  
Adjusts from 5-7"  
Brackets pop-up to building up to 1 3/4" U-bolt ID

## WALL MOUNTS



**2118**  
• 18" arms, 1 3/4" U-bolt ID



**BTA Universal Wall Mounts**  
• BTA - 23" arm  
• BTA L - 29" arm  
• BTA-38 - 38" arm



**2157**  
• Adjusts from 5-7"  
• 1 3/4" U-bolt ID



**J Bracket**  
• Hot-dipped galvanized steel  
• Rugged  
• Economical mounting support



**CMY7-18**  
• 18" strap, 1 3/4" U-bolt ID

Wade Antenna's ongoing policy of continuing development may result in specification changes to its products.



## Tripods

- All models pre-assembled for quick and easy on-site installation
- Made with 1 ¼" (3.2 cm) galvanized welded steel tubing
- Heavy-duty construction
- Accept up to 1 ¾" (4.4 cm) mast
- Swing away mast support
- TRM-3PN boxed for easy storage
- Roof sealing Lag Screws available

| MODEL       | SHIPPING DIMS (in) | COLLAR HEIGHT (ft) | MAST OD (in)      |
|-------------|--------------------|--------------------|-------------------|
| TRM-3PN     | 60 x 7 x 6         | 3                  | 1 ¾               |
| TRM-5N      | 60 x 7 x 6         | 5                  | 1 ¾               |
| TRM-10L     | 120 x 12 x 11      | 10                 | 2 ¼               |
| TR2-5 BIPOD | 60 x 7 x 6         | N/A                | 1 ¼/18ga/60 incl. |

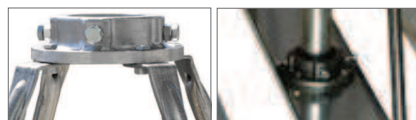
## HALF BASE MODEL



## Non-Penetrating Roof Mounts

- 2 gauges of pre-galvanized steel frames to choose from
- Rigid construction will withstand harsh elements
- Accepts our Wade Pop-up masts for added height
- Full base models accept up to a 2½" mast with a 54" minimum height
- No anchoring necessary
- Accommodates both cinder blocks and patio stones
- Stabilizing white mats available to protect the mounting surface

## FULL BASE MODELS



| MODEL         | BASE SIZE | COLLAR/BASE CLAMP | MAST OD (in) |
|---------------|-----------|-------------------|--------------|
| NPRM-1/2-LD-5 | 48 x 30   | 244A Mast Clamp   | 2 (included) |
| NPRM-2        | 48 x 48   | 244A Mast Clamp   | Up to 2 ½    |
| NPRM-3        | 48 x 48   | U-Bolt            | Up to 2 ½    |



Wade Antenna's ongoing policy of continuing development may result in specification changes to its products.