

GS-GN GUY STATION FOR GN TOWERS

CAUTION - SHARP EDGES - WEAR GLOVES!

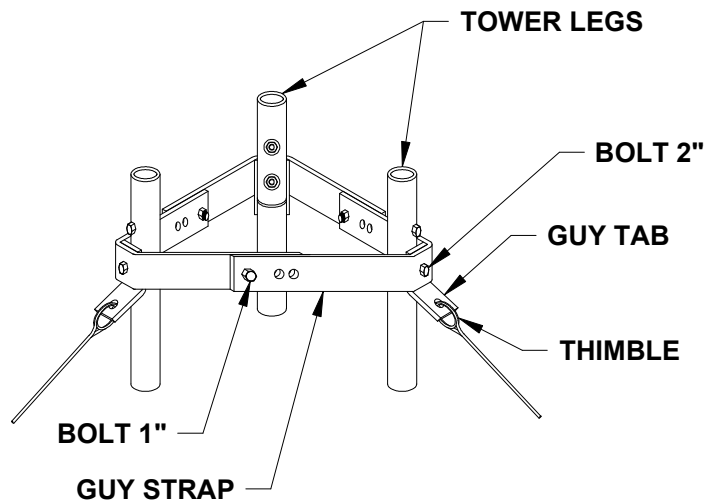
GUY STATION INSTRUCTION SHEET

For Model GS-GN Guy Stations

Uses: GS-GN is used for guying GN16T, GN16S, GN18T, GN18S sections of tower

Model GS-GN consists of 3 identical “V” shaped steel guy straps, 3 thimbles, 3 guy tabs and appropriate hardware.

For assembly on GN tower sections, loosely assemble 2” bolts through “V” shaped guy strap into short end of guy tab and through appropriate hole in desired section of tower. Loosely assemble supplied hardware to bolt. Loosely assembly 1” bolts, nuts and lockwashers through the best matched set of holes on the flat side of the “V” shaped guy strap to complete assembly.



In all cases, tighten all bolts securely!

Commercial Guyed Towers should be guyed using 3/16” or 1/4” O.D. heavy duty guy wire.

Guy anchors should be 120° apart and about one half tower height away from base.

